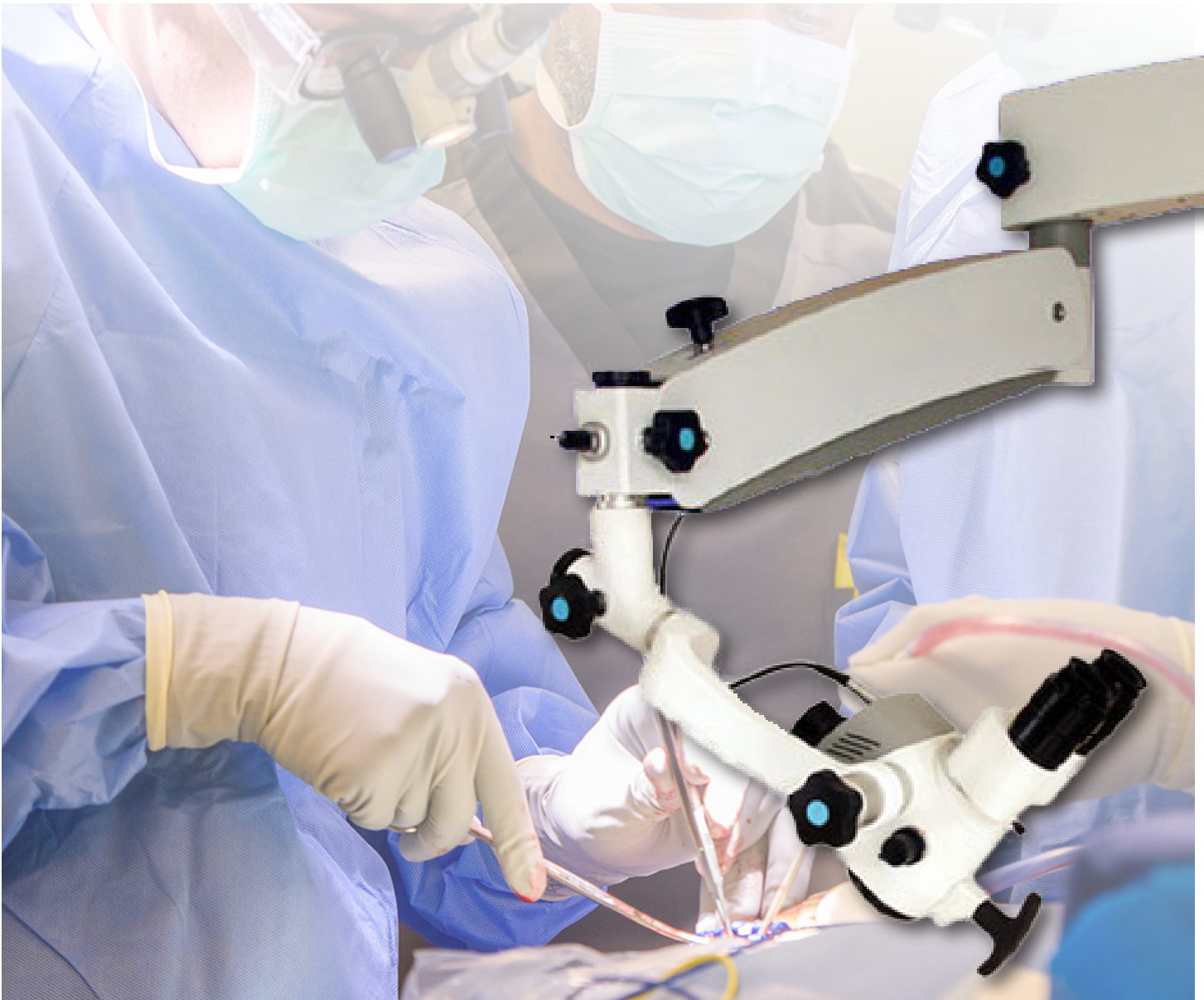




# **LB-1930**

## **Surgical Microscope for Neurology**



**LB-1930 surgical microscope** offers excellent optical features with high resolution, long depth of field. It adopts a combinative structure which is in fashion internationally, and is suitable for examination and surgeries in several kinds of fields. The main microscope has a manual focusing system. In order to demonstrate or store the document, the beam splitter, observer's monocular and adapter for CCD camera or CCD camera are for option.

## FEATURES

- The main microscope can be inclined back and forth/ right and left/move up and down
- Smooth six-step magnification changer
- 230-260mm adjustable working distance objectives lens with Max. 24x magnification
- Wide field 12.5x eyepieces with adjustable diopter
- Fan cooled LED light source with AC 3V/10W
- Continuous illumination control
- Power off when lifting the spring arm
- Green/yellow/blue filter in selector knob
- Plastic covers for the arm reduce the weight

## SPECIFICATION

### MICROSCOPE

Binocular	Straight Binocular Head or 45° Binocular $f'=160$
Objective	230-260mm Adjustable working distance objective lens with Max 24x magnification
Eyepiece	Wide field 12.5x eyepiece with adjustable diopter
Diopter adjustment	-5D ~ + 5D
Magnification changer	6 steps: 0.3x, 0.5x, 0.8x, 1.2x, 2.0x, 3.0x
Total magnifications	6 steps: 2.4x, 4x, 6.4x, 9.6x, 16x, 24x
Visual field	8.5-78mm
Interpupillary distance	55mm-75 mm

### ILLUMINATION

Type	LED 3V/10W
Diameter of illumination	65mm
Power supply	AC 90-240v
Light intensity	Min. 25000 LUX
Filter	Green, Yellow, Blue filter in selector knob

### ARM

Extended Arm	1250mm (max)
Elevation Stroke for Spring Arm	400mm
Rotation Angle	270°



### STANDARD ACCESSORIES

Dust cover, 2 spare fuse, 4 pcs. hexagon spanner, mini-screw driver, brush, flannelette cloth, and instruction manual

### OPTIONAL ACCESSORIES (Must be ordered separately)

Objective  $f^{\circ}= 175\text{mm}$

Objective  $f^{\circ}= 200\text{mm}$

Objective  $f^{\circ}= 250\text{mm}$

Objective  $f^{\circ}= 300\text{mm}$

Objective  $f^{\circ}= 400\text{mm}$

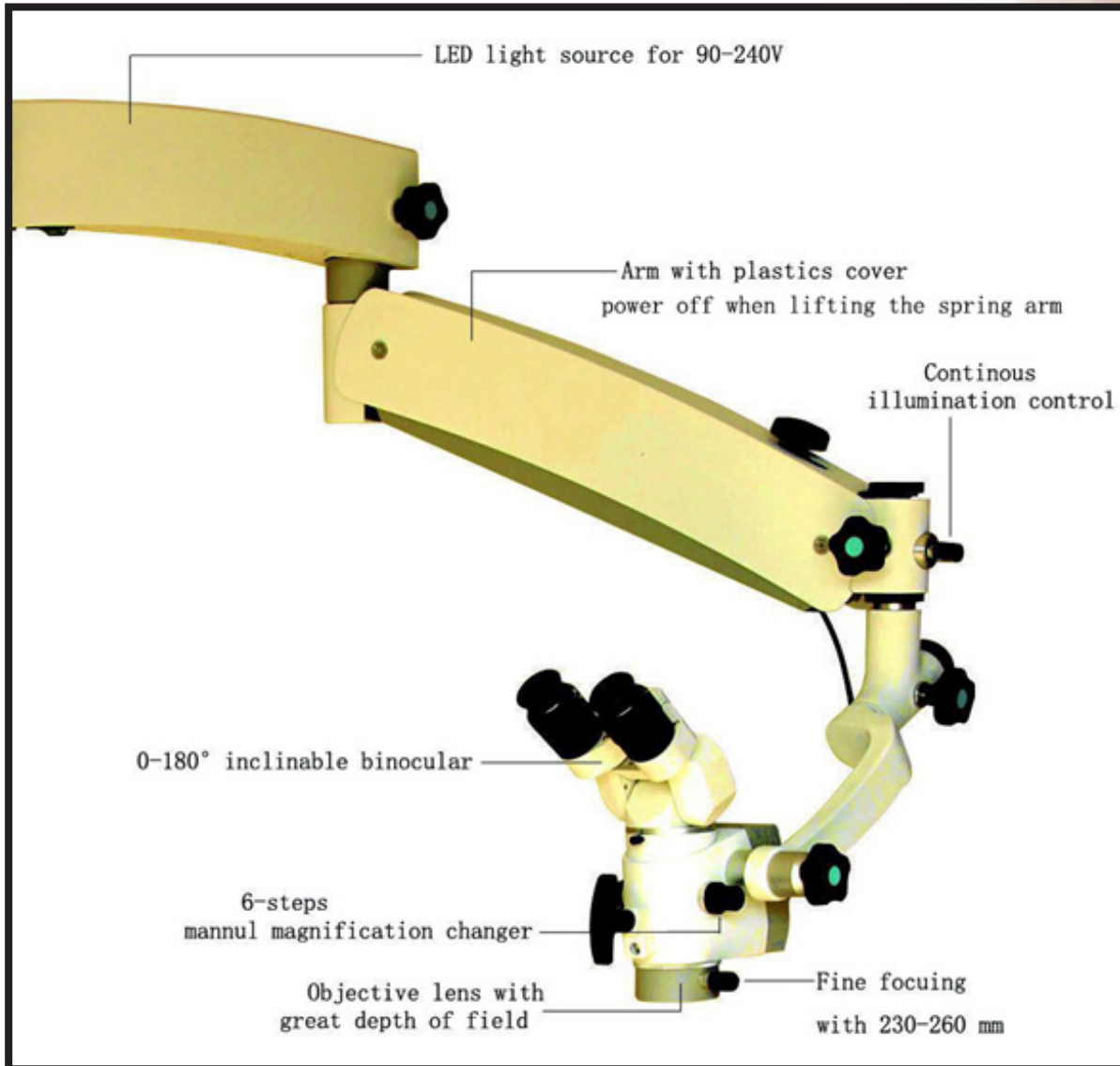
Integrated B/S & A/D                      Integrated

Adapter for CCD Camera

Observer's monocular

Monitor                      HDMI monitor, LCD panel, 1080P resolution and LED backlight

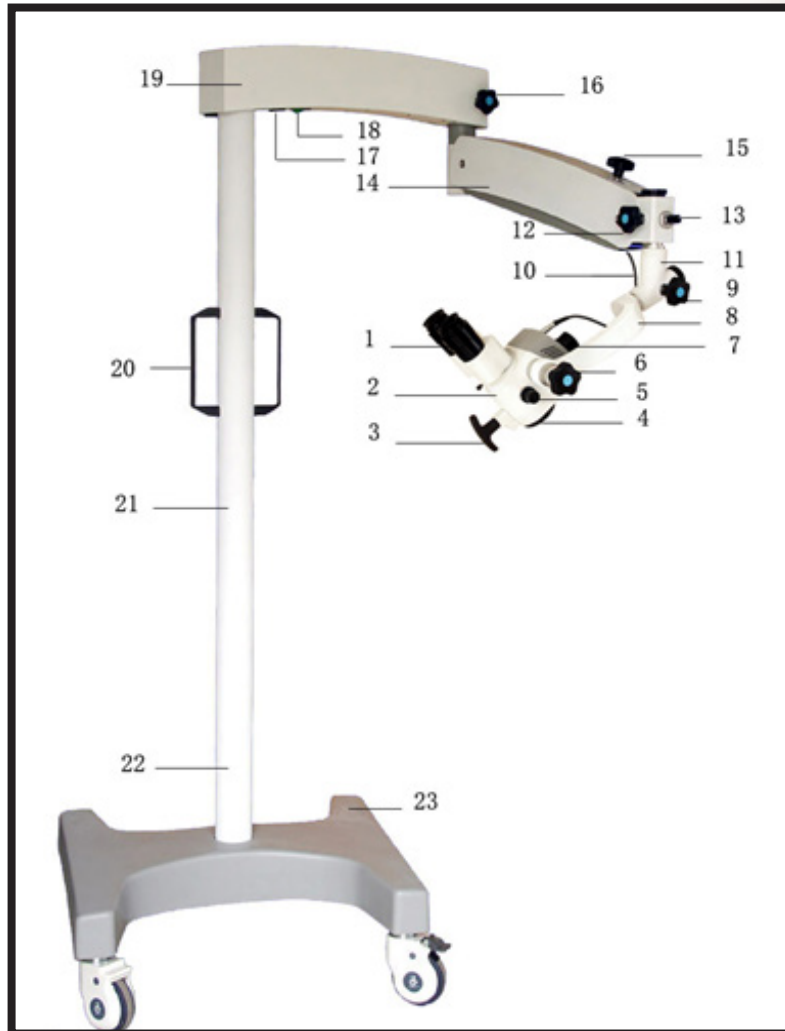
CCD Camera                      LC-8



### Main Optical Properties and Structure Specifications

Objective lens (mm) 230-260mm  $f'=160$  binocular

Wheel value	Magnification	Visual field
0.3	2.4	78
0.5	4	53
0.8	6.4	32
1.2	9.6	22
2.0	16	13
3.0	24	8.5

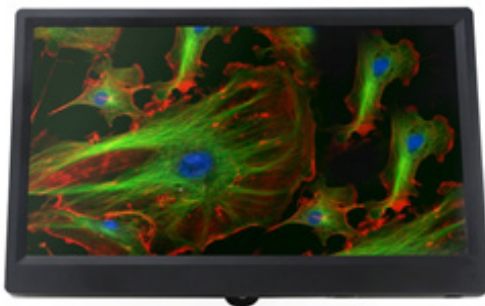


- |                          |                       |                  |
|--------------------------|-----------------------|------------------|
| 1. Binoculars            | 11. Connecting Block  | 21. Column       |
| 2. Main microscope       | 12. Fixing hand-wheel | 22. Power Outlet |
| 3. Handgrip              | 13. Brightness knob   | 23. Base         |
| 4. Objective             | 14. Spring Arm        |                  |
| 5. Magnification changer | 15. Lock hand wheel   |                  |
| 6. Fixing hand-wheel     | 16. Fixing hand-wheel |                  |
| 7. Filter knob           | 17. Fuse              |                  |
| 8. Connecting grip       | 18. Power switch      |                  |
| 9. Fixing hand-wheel     | 19. Light source arm  |                  |
| 10. Power line           |                       |                  |

**OPTIONAL CAMERA AND MONITOR:**

LC-8 C-MOUNT HDMI+WiFi CMOS CAMERA AND MONITOR:

Camera Front and Back



Front View



Back View



Side view

**Monitor Basic Characteristics:**

- HDMI Monitor
- True 1080P
- LCD Panel
- High Contrast Ratio up to 1000:1
- LED back light with 50000 hours long life time
- 11.6 inch active area

**Monitor Basic Performance**

LCD Panel	IPS LCD Screen (Super TFT)
Input Video Format	HDMI
Native Resolution	1920x1080
Display Type	16:9 Ratio 11.6 Inch Active
Typical Contrast Ratio	1000:1
Colors	16.7 Million

Viewing Angle (L/R/U/D)	IPS Full View
Active Display Area	258mm(W)×145mm(H)
Pixel Pitch	0.134(W)X0.134(H)mm
Brightness	350cd/sq.m;400cdsq.m
Backlight	LED Backlight, 50000 hours
<b>Outline Parameter</b>	
Color	Black
Dimension	281(L)*179(H)*15.6(W) mm
Weight	400g
<b>Operating Environment</b>	
Operating Temperature	-15 Degree~55 Degree
Humidity Non Condensing	Operating:10%-
Synchronization Range	30-80KHz Horizontal,55-
Power Supply	AC110V-220V /DC12V(1A)
Power Consumption	Max12W