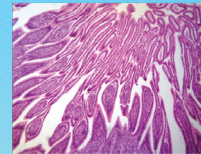
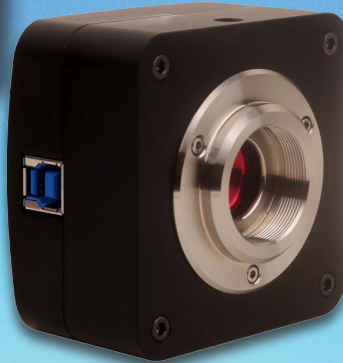




LABOMED, INC.



LC-11 6.3M/IMX178(C/M) 1/1.8" (8.92mm) USB3.0 CMOS Digital Camera (HISPVP)

LC-11 6.3M/IMX178(C/M) 1/1.8" (8.92mm) USB3.0 CMOS Digital Camera (HISPVP) adopt SONY Exmor CMOS sensor as the image-picking device and USB3.0 is used as the transfer interface.

LC-11 6.3M/IMX178(C/M) 1/1.8" (8.92mm) USB3.0 CMOS Digital Camera (HISPVP) hardware resolution of 6.3M and come with the integrated CNC aluminum alloy compact housing.

LC-11 6.3M/IMX178(C/M) 1/1.8" (8.92mm) USB3.0 CMOS Digital Camera (HISPVP) integrated with 12 bit Ultra-fine™ Hardware Image Signal Processor Video Pipeline(Ultra-fine™ HISPVP) for Demosaic, Adjustments, Automatic Exposition, Gain Adjustment, One Push White Balance, Chrominance Adjustment, Saturation Adjustment, Gamma Correction, Luminance Adjustment, Contrast Adjustment, Bayer and finally form RAW data for 8/12 bit out. This will move the heavy burden of the processing from the PC to the Ultra-fine™ HISPVP and greatly



LABOMED, INC.

accelerating the processing speed.

LC-11 6.3M/IMX178(C/M) 1/1.8" (8.92mm) USB3.0 CMOS Digital Camera (HISPVP) with advanced video & image processing application ImageView; Providing Windows/Linux/ OS X multiple platforms SDK; Native C/C++, C#/VB.NET, DirectShow, Twain Control API;



APPLICATION

The **LC-11 6.3M/IMX178(C/M) 1/1.8" (8.92mm) USB3.0 CMOS Digital Camera (HISPVP)** can be widely used in bright field, dark field, fluorescent light environment and normal microscope image capture and analysis with higher frame rate.

FEATURES

The basic characteristic of **LC-11 6.3M/IMX178(C/M) 1/1.8" (8.92mm) USB3.0 CMOS Digital Camera (HISPVP)** are as follows:

1. SONY Exmor, Exmor R(Back-illuminated), Exmor RS CMOS sensor with USB3.0 interface;
2. Real-time 8/12bit depth switch(depending on sensor);
3. Super high sensitivity of 425mV(IMX178);
4. Ultra low noise and low power dissipation by using column-parallel A/D conversion;
5. With hardware resolution of 6.3M;
6. Rolling Shutter or Global Shutter;
7. Standard C-Mount camera;
8. CNC aluminum alloy housing;
9. Ultra-fineTM HISPVP and USB3.0 5 Gbps interface ensuring high frame rates(Up to 30 frames for 6.3M Resolution);



LABOMED, INC.

10. With advanced video & image processing application ImageView;
11. Providing Windows/Linux/Mac OS multiple platforms SDK;
12. Native C/C++, C#/VB.Net, DirectShow, Twain, LabView.

SPECIFICATION

Model	LC-11
Sensor & Size(mm)	6.3M/IMX178(Color/Monochrome) 1/1.8" (8.92mm)
Pixel Size(μm)	2.4x2.4
G Sensitivity	425mv with 1/30s
Dark Signal	0.15mv with 1/30s
FPS/Resolution	30@3072 x2048 38@1536x 1024
Binning	1x1 2x2
Exposure	0.1ms~15s
Other Specification	
Spectral Range	380-650nm (with IR-cut Filter)
White Balance	ROI White Balance/ Manual Temp Tint Adjustment/NA for Monochromatic Sensor
Color Technique	Ultra-fine™ HISPVP /NA for Monochromatic Sensor
Capture/Control API	Native C/C++, C# /VB.Net,, DirectShow, Twain and Labview
Recording System	Still Picture and Movie
Cooling System	Natural
Operating Environment	
Operating Temperature(in Centidegree)	-10~ 50
Storage Temperature(in Centidegree)	-20~ 60
Operating Humidity	30~80%RH
Storage Humidity	10~60%RH
Power Supply	DC 5V over PC USB Port
Software Environment	



LABOMED, INC.

Operating System

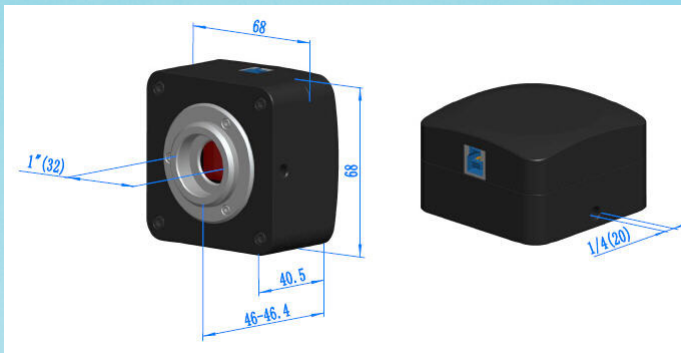
Microsoft® Windows® XP / Vista / 7 / 8 / 10 (32 & 64 bit)
OSx(Mac OS X)

PC Requirements

Linux
CPU: Equal to Intel Core2 2.8GHz or Higher
Memory: 2GB or More
USB Port: USB3.0 High-speed Port
Display: 17" or Larger
CD-ROM

DIMENSION

The **LC-11 6.3M/IMX178(C/M) 1/1.8" (8.92mm) USB3.0 CMOS Digital Camera (HISPVP)** body, made from tough, CNC aluminum alloy, ensures a heavy duty, workhouse solution. The camera is designed with a high quality IR-CUT to protect the camera sensor. No moving parts included. These measures ensure a rugged, robust solution with an increased lifespan when compared to other industrial camera solutions.





LABOMED, INC.

PACKING INFORMATION



Standard Camera Packing List

- A Carton L:52cm W:32cm H:33cm (20pcs, 12~17Kg/ carton), not shown in the photo
- B Gift box L:15cm W:15cm H:10cm (0.58~0.6Kg/ box)
- C LC-11 USB3.0 C-mount CMOS camera
- D High-speed USB3.0 A male to B male gold-plated connectors cable /2.0m
- E CD (Driver & utilities software, Ø12cm)

Optional Accessory

- F Adjustable lens adapter
C-mount to Dia.23.2mm eyepiece tube
(Please choose 1 of them for your microscope)
- G Fixed lens adapter



LABOMED, INC.

C-mount to Dia.23.2mm eyepiece tube
(Please choose 1 of them for your microscope)

Note: For F and G optional items, please specify your camera type(C-mount, microscope camera) , our engineer will help you to determine the right microscope camera adapter for your application.

- H (Dia.23.2mm to 30.0mm Ring)/Adaptor rings for 30mm eyepiece tube
- I (Dia.23.2mm to 30.5mm Ring)/ Adaptor rings for 30.5mm eyepiece tube
- J (Dia.23.2mm to 31.75mm Ring)/ Adaptor rings for 31.75mm eyepiece tube
- K Calibration kit
 - 106011/TS-M1(X=0.01mm/100Div.);
 - 106012/TS-M2(X,Y=0.01mm/100Div.);
 - 106013/TS-M7(X=0.01mm/100Div., 0.10mm/100Div.)**

SAMPLE IMAGES

